

# OneWireless Firewall Specification Release 120

EP03-630-120, April 2009



## Product Overview



The OneWireless™ Firewall R120 is a security appliance designed specifically for Honeywell Experion control system users planning to extend their process control network into the field using the OneWireless network. The device protects both the Experion control network and OneWireless network from unwanted and harmful traffic.

## Key Features

- Designed to protect the Experion Fault Tolerant Ethernet (FTE) network and the OneWireless network from harmful traffic, possible viruses and avoid intermittent response time or complete loss of connectivity.
- Plug-and-play with no configuration required, unlike the IT-style firewalls that require highly-trained staff for installation. A field technician can simply attach power to the device, connect two network cables and walk away.
- Designed for industrial environments having a 27 years MTBF -40C to +70C operating temperature ratings and Class I / Div 2, Zone 2 hazardous area approvals.

## Architecture

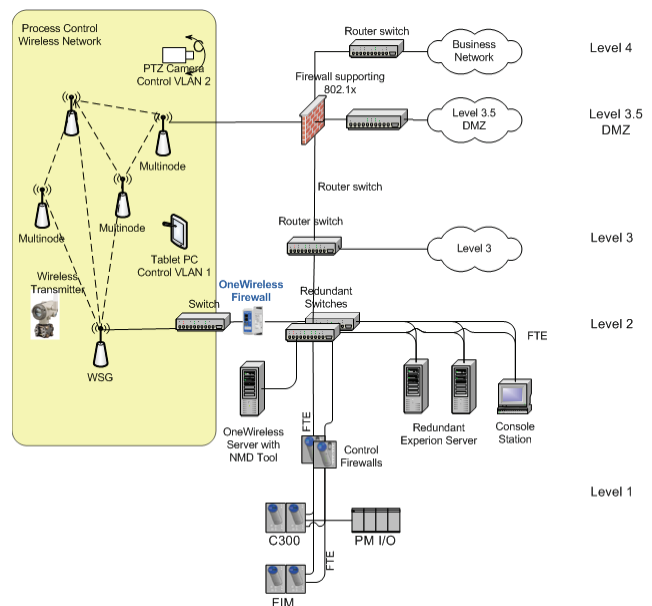
The OneWireless Firewall is a qualified network component of Honeywell's high security network architecture, the architecture recommended for any Ethernet-based process control system. This multi-layer architecture is composed of four levels:

- Level 4 Business network applications such as Manufacturing Execution Systems (MES) and Manufacturing Resource Planning (MRP) solutions

- Level 3.5 / DMZ for access to the process control network as well as the business network
- Level 3 advanced control and advanced applications (noncritical control applications)
- Level 2 Supervisory control and operator interface
- Level 1 Real-time control (controllers and I/O)

The OneWireless Firewall is installed between the Level 2 OneWireless Wireless System Gateway (WSG) and a Level 2 FTE Switch. The WSG and OneWireless server are connected at the Level 2 for easily accessing wireless I/O devices from Experion controllers through Modbus or Experion CDA. The firewall is preconfigured to only allow wireless I/O data on both directions while blocking unnecessary Level 2 traffic. Other data types supported by OneWireless network will be accessible through the multinode connected at Level 3.

Honeywell's process control network (wired and wireless) is composed of specific set of qualified network components that ensure that the network is secure and reliable. The OneWireless Firewall is a new qualified network component which is a critical to not only protect the Experion FTE network but also the OneWireless network.



## Specifications

<b>Model Numbers</b>	51150593-100		
<b>Description</b>	OneWireless Two Port Security Appliance		
<b>Mechanical</b>			
<b>Weight</b>	0.36 kg		
<b>Dimensions (W x H x D) mm</b>	146 x 138 x 42		
<b>Power Inputs</b>	Two (dual redundant)		
<b>Operating Voltage</b>	24V nominal (9V – 32V)		
<b>Power Fail Inputs</b>	Two		
<b>Mounting</b>	35mm DIN rail or panel mounting		
<b>Connections</b>	Screw cage-clamp 24...12AWG, 0.2...2.5 mm <sup>2</sup>		
<b>Service</b>			
<b>Indicators</b>	Power, fault, event, mode, link activity and speed		
<b>Environmental</b>			
<b>Operating Temperature</b>	-40°C to +70°C		
<b>Transportation and Storage Temperature</b>	-40°C to +85°C		
<b>Relative Humidity</b>	10% to 90% (non-condensing)		
<b>Environmental Rating</b>	IP 20		
<b>Mechanical Vibration and Shock</b>	IEC 60068-2-6 1g @ 20-500Hz IEC 60068-2-27 30g for 11ms shock EN 61326 EMC Annex A Industrial Locations EN 61010-1		
<b>Hazardous Area Approvals</b>	Europe ATEX EN 60079-15:2005 II 3 G Ex nA nC IIC T4	USA FM Class 3600 1998 Class 3611 2004 Class 3610 2005 Non-incendive for Class I, Div 2 Grps A-D; Zone 2 Aex nC IIC T4 Ta=70°C	Canada FM CAN/CSA E60079-0 2002 CAN/CSA E60079-15 2002 C22.2 No. 1010-1 2004 Non-sparking for Class I, Div 2 Grps A-D; Zone 2 Ex nL IIC T4 Ta =70°C
<b>Industrial Control Security</b>	MUSIC 2007-1 Foundation Level		
<b>Warranty</b>	1 year		

XYR and OneWireless are trademarks and Experion is a registered trademark of Honeywell International Inc. All other products and brand names shown are trademarks of their respective owners.

While this information is presented in good faith and believed to be accurate, Honeywell disclaims the implied warranties of merchantability and fitness for a particular purpose and makes no express warranties except as may be stated in its written agreement with and for its customer. In no event is Honeywell liable to anyone for any indirect, special or consequential damages. The information and specifications in this document are subject to change without notice

This document that is published for the sole usage of Honeywell Process Solutions' customers and prospective customers

**For More Information**

Learn more about Honeywell's  
OneWireless System visit our website  
[www.honeywell.com/ps/wireless](http://www.honeywell.com/ps/wireless)  
or contact your Honeywell account manager.

**Automation & Control Solutions**

Process Solutions  
Honeywell  
2500 W. Union Hills Dr.  
Phoenix, AZ 85027  
Tel: 877.466.3993 or 602.313.6665  
[www.honeywell.com/ps](http://www.honeywell.com/ps)

MS-SP-110  
April 2009  
Printed in USA  
© 2009 Honeywell International Inc.

The Honeywell logo is displayed in a bold, red, sans-serif font.