

Honeywell MODBUS/TCP Firewall



Tofino™ 9211-ET-HN1



- ◆ industrial network protection
- ◆ simple installation
- ◆ 10/100Mbps Ethernet
- ◆ preloaded MODBUS/TCP configuration
- ◆ field upgradable
- ◆ power supply redundancy
- ◆ Class 1/Div 2 and Zone 2 rated
- ◆ DIN-rail mounting

The Tofino™ Honeywell MODBUS/TCP Firewall is a new and unique solution from Honeywell, MTL and Byres Security that addresses the important issue of protecting Industrial Networks from malicious or accidental disruptions.

Instead of the standard, highly complex, "IT-style" firewall that requires highly-trained staff to install it, the Tofino™ device only requires a field technician to attach power and two network cables and then walk away. The Tofino™ is preconfigured to allow only MODBUS/TCP traffic through the firewall blocking all other traffic. It also ensures that MODBUS traffic is only allowed from the side of the network the MODBUS master is on, blocking any unsolicited traffic from the MODBUS slaves.

The system has the flexibility to protect a small plant with a single PLC, or a multi-national organization with thousands of critical devices scattered around the globe. By deploying Tofino™ devices between the Honeywell C300 network and other MODBUS devices, SCADA and process control companies are provided with a layered security solution for their systems.

The Tofino™ is a fully stateful firewall that ensures proper protection of your C300 system from viruses or hackers that may penetrate a system via laptops, USB storage devices and other means.

Configuration is not required - the Tofino™ starts up ready to protect your C300 system. All Tofino™ devices are field-upgradeable via the secure USB upgrade process where files are both encrypted for confidentiality and signed for integrity.

The Tofino™ will provide details on all network traffic conditions and anomalies to the Honeywell system, via standard Honeywell reporting features.

Redundant power supply inputs enable the user to reduce the risk of power failure to the module.

Industrially Hardened. Tofino™ is designed for industrial environments having a 27 year MTBF, -40°C to +70°C operating temperature ratings and Class 1/Div 2 (Zone 2) hazardous area approvals.



Product specifications are subject to change without notice

SPECIFICATIONS

Tofino™ Security Appliance

Honeywell Part No.

51154724-100

MTL Model No.

9211-ET-HN1

Description

Tofino™ Two Port Security Appliance

Protected Devices

Unlimited

COMMUNICATIONS

Ethernet Ports

Two IEEE 802.3 BASE-T ports (auto sensing or manual)
10 or 100Mbps, full or half-duplex

Auto Tx/Rx sensing

USB-2 Ports (Load updates/Save diagnostics)

Two

POWER (+ redundant power + power fail)

Power Inputs

Two (dual redundant)

Operating Voltage

24V nominal (9V – 32V)

Current Consumption at 24 VDC

< 170mA typ.

< 350mA max.

Power Fail Inputs

Two

Connections

Screw cage-clamp 24...12AWG, 0.2...2.5mm²

SERVICE

Indicators

Power, Fault, Event, Mode

Link Activity and Speed

Config Switch

Load configuration from USB storage or

Save log files to USB storage

ENVIRONMENTAL

Temperature Specifications

Operating –40°C to +70°C

Storage/Transport –40°C to +85°C

Relative Humidity

10% to 90% (non-condensing)

MECHANICAL

Protection Class

IP 20

Mounting

35mm DIN rail or panel mounting

Dimensions (W x H x D) mm

146 x 138 x 42

Weight

0.36 kg

Vibration and Shock

IEC 60068-2-6 1g @ 20-500Hz

IEC 60068-2-27 30g for 11ms shock

EN 61326 EMC Annex A Industrial Locations

EN 61010-1

Hazardous Area Approvals

Location of equipment

Safe area or see table in APPROVALS section

Tofino™ Preconfigured Firewall LSM for MODBUS/TCP

Description

Tofino™ Stateful Firewall Module

Type

Layer 2 Stateful Firewall

Layers Filtered

Layers 2-3 with Predefined MODBUS/TCP rules

Throughput

95.5 MBPS at 1500 Byte Frames

Network Statistics

Automatic reporting of traffic statistics to Honeywell Experion stations

Tofino™ is a trademark of Byres Security Inc.

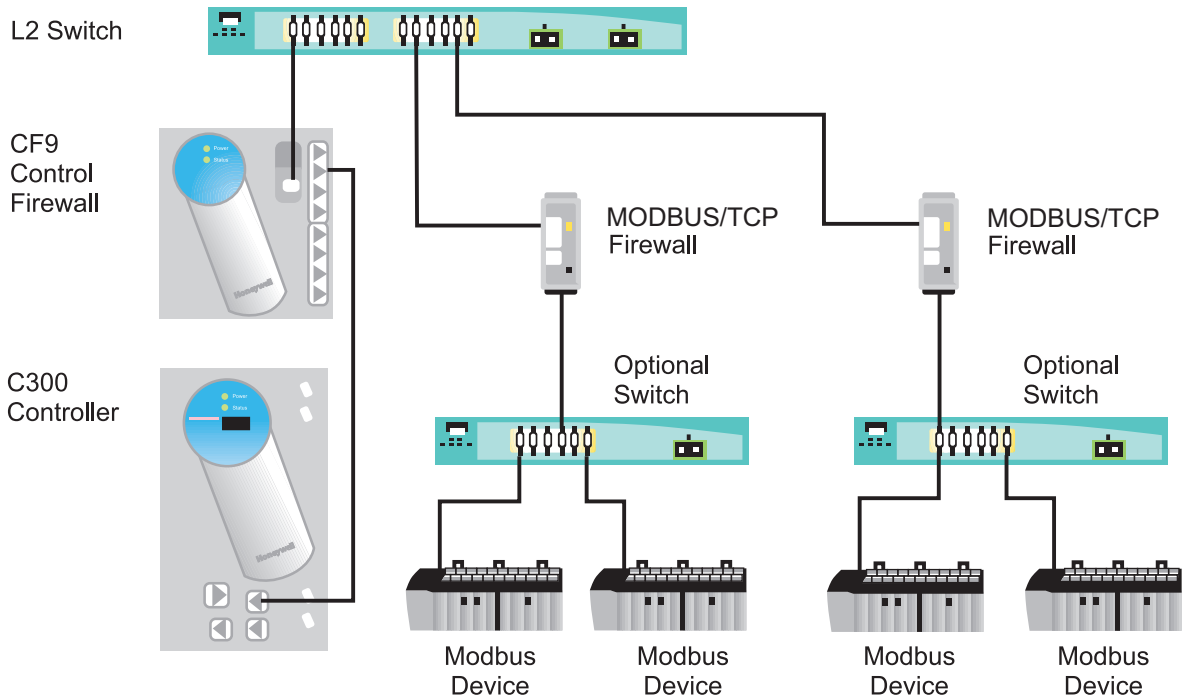


EUROPE (EMEA) Tel: +44 (0)1582 723633
 AMERICAS Tel: +1 888 9TOFINO
 ASIA PACIFIC Tel: +65 6 487 7887
 INTERNATIONAL Tel: +1 780 485 3139
 E-mail: tofinosupport@mtl-inst.com Web site: www.tofinosecurity.com

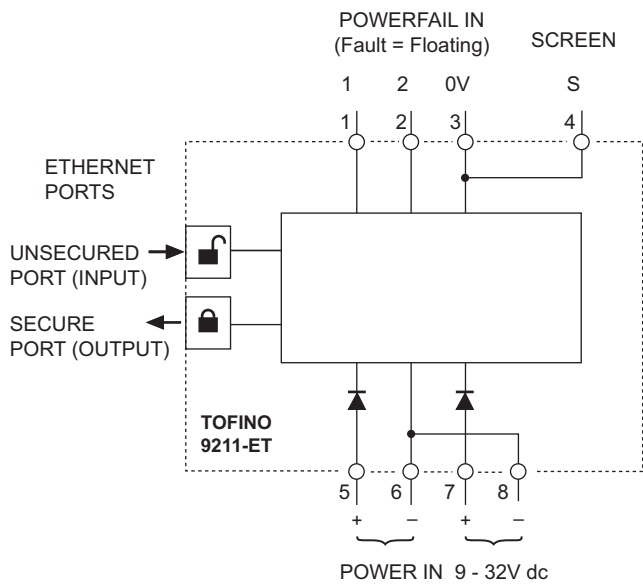


Product specifications are subject to change without notice

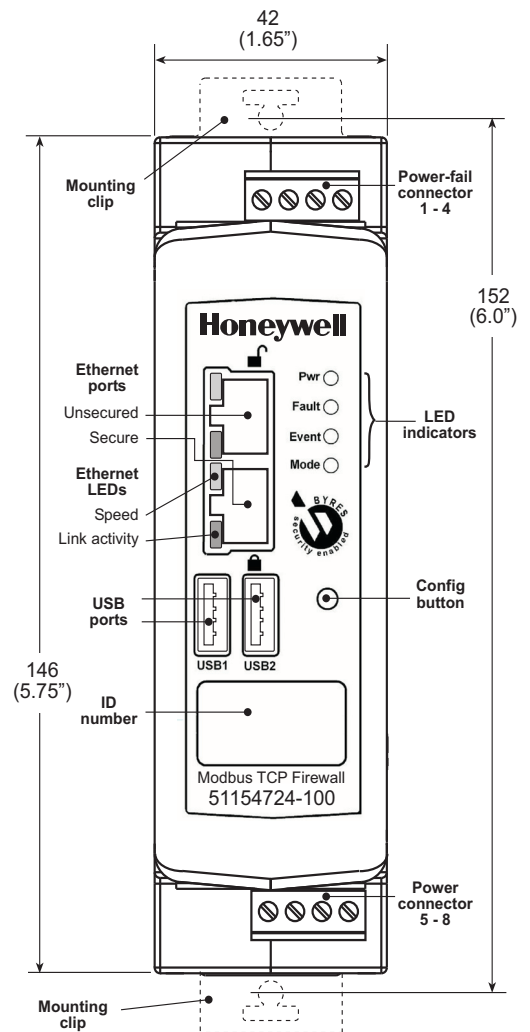
TYPICAL APPLICATION METHOD



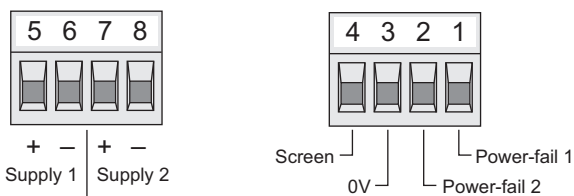
CONNECTION DIAGRAM



DIMENSIONS & PANEL DETAILS



POWER & POWER-FAIL CONNECTIONS



APPROVALS

For the latest certification information visit: http://www.mtl-inst.com/certs_1.nsf

9211-ET-HN1 - Tofino™ Industrial Security Appliance

Region	Europe	USA	Canada
Authority	ATEX	FM	FM
Standard	EN 60079-15:2005	Class 3600 1998 Class 3611 2004 Class 3610 2005	CAN/CSA E60079-0 2002 CAN/CSA E60079-15 2002 C22.2 No. 1010-1 2004
Approved for	⊕ II 3 G Ex nA nC IIC T4	Non-incendive for Class I, Div. 2 Grps A-D; Zone 2 AEx nC IIC T4 Ta=70°C	Non-sparking for Class I, Div. 2 Grps A-D; Zone 2 Ex nL IIC T4 Ta=70°C
Certificate Numbers	MTL07ATEX9211X	3029914	3029914C

